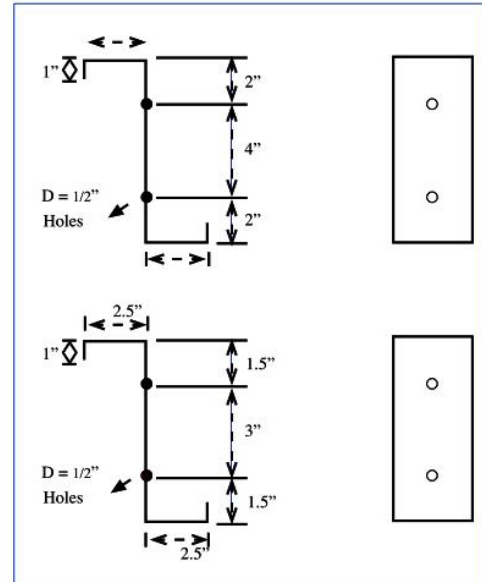


## “Z” Purlin

Open profile specially manufactured to support metallic roofs.



### Stock Dimensions



#### Notes:

- \* They are manufactured in special orders with lengths of up to 35'.
- \* Through special orders, the client has the option of asking for perforations in the horizontal axis

### Sketch for perforations in “Z” purlins

